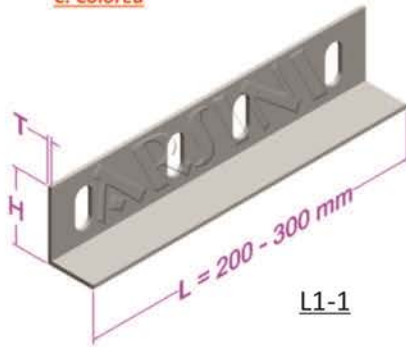


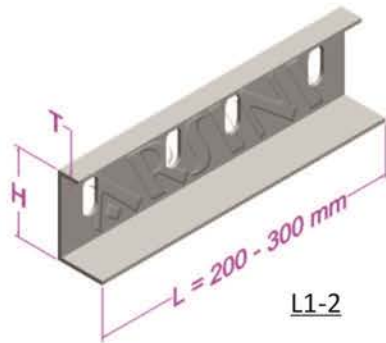
1- Straight connectors

NOTE:

- 1. (?) → **H.D.G:** Hot dip galvanized
- P.G:** Pre galvanized
- C:** Colored

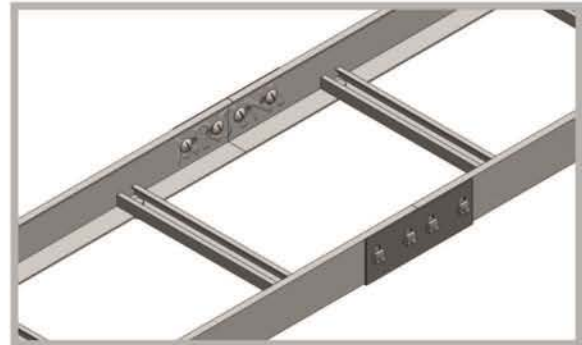


L1-1

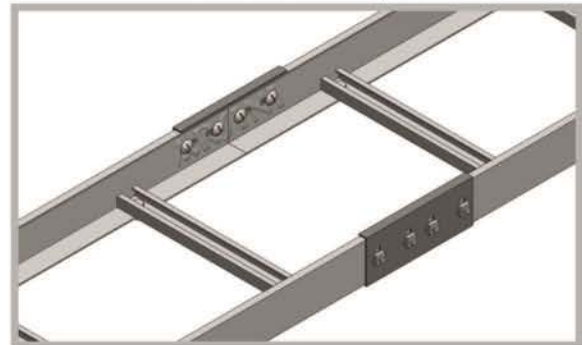


L1-2

ORDER CODE	L mm	H mm	T mm
L1-1HT-?	200 - 300	50-60-70-100-150	1.25 - 1.5 - 2
L1-2HT-?	200 - 300	50-60-70-100-150	1.25 - 1.5 - 2



Connection Example

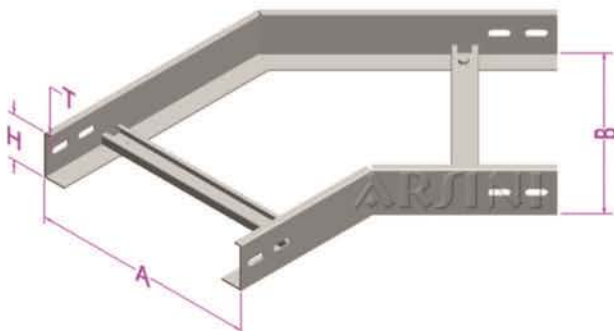


Connection Example

2- Horizontal bend 45 degree

NOTE:

- 1. (?) → **H.D.G:** Hot dip galvanized
- P.G:** Pre galvanized
- C:** Colored



ORDER CODE	A mm	H mm	T mm
L2-10HT-?	100	50-60-70-100-150	1.25 - 1.5 - 2
L2-15HT-?	150	50-60-70-100-150	1.25 - 1.5 - 2
L2-20HT-?	200	50-60-70-100-150	1.25 - 1.5 - 2
L2-25HT-?	250	50-60-70-100-150	1.25 - 1.5 - 2
L2-30HT-?	300	50-60-70-100-150	1.25 - 1.5 - 2
L2-40HT-?	400	50-60-70-100-150	1.5 - 2
L2-50HT-?	500	50-60-70-100-150	1.5 - 2
L2-60HT-?	600	50-60-70-100-150	1.5 - 2
L2-70HT-?	700	50-60-70-100-150	2
L2-80HT-?	800	50-60-70-100-150	2
L2-90HT-?	900	50-60-70-100-150	2
L2-100HT-?	1000	50-60-70-100-150	2



Connection Example