

3- Horizontal bend 90 degree (R150)

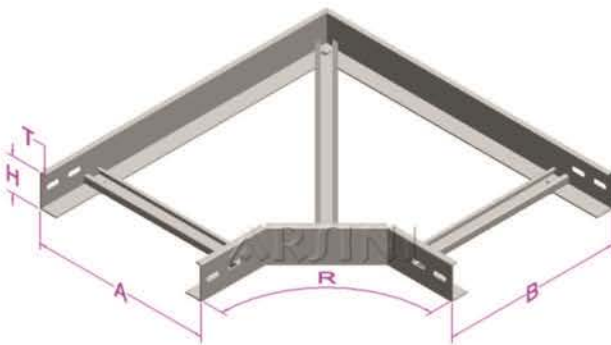
NOTES:

1. In our standard productions (B) dimensions with (A) Dimensions are equal, In your requests (B) dimensions Can be changed and the production can be made According to your request.

2. (?) → H.D.G: Hot dip galvanized

P.G: Pre galvanized

C: Colored



ORDER CODE	A mm	H mm	T mm
L3-10HT-?	100	50-60-70-100-150	1.25 - 1.5 - 2
L3-15HT-?	150	50-60-70-100-150	1.25 - 1.5 - 2
L3-20HT-?	200	50-60-70-100-150	1.25 - 1.5 - 2
L3-25HT-?	250	50-60-70-100-150	1.25 - 1.5 - 2
L3-30HT-?	300	50-60-70-100-150	1.25 - 1.5 - 2
L3-40HT-?	400	50-60-70-100-150	1.5 - 2
L3-50HT-?	500	50-60-70-100-150	1.5 - 2
L3-60HT-?	600	50-60-70-100-150	1.5 - 2
L3-70HT-?	700	50-60-70-100-150	2
L3-80HT-?	800	50-60-70-100-150	2
L3-90HT-?	900	50-60-70-100-150	2
L3-100HT-?	1000	50-60-70-100-150	2



Connection Example

4- Horizontal tee (R150)

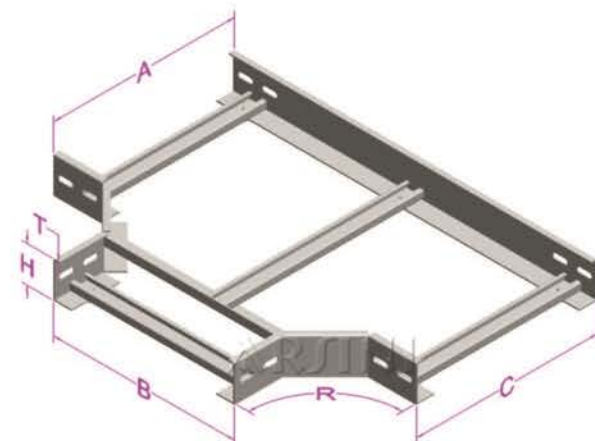
NOTES:

1. In our standard productions (A,B and C) dimensions Equal In your requests (B and C) dimensions can be Changed and the production can be made accorsing To your request.

2. (?) → H.D.G: Hot dip galvanized

P.G: Pre galvanized

C: Colored



ORDER CODE	A mm	H mm	T mm
L4-10HT-?	100	50-60-70-100-150	1.25 - 1.5 - 2
L4-15HT-?	150	50-60-70-100-150	1.25 - 1.5 - 2
L4-20HT-?	200	50-60-70-100-150	1.25 - 1.5 - 2
L4-25HT-?	250	50-60-70-100-150	1.25 - 1.5 - 2
L4-30HT-?	300	50-60-70-100-150	1.25 - 1.5 - 2
L4-40HT-?	400	50-60-70-100-150	1.5 - 2
L4-50HT-?	500	50-60-70-100-150	1.5 - 2
L4-60HT-?	600	50-60-70-100-150	1.5 - 2
L4-70HT-?	700	50-60-70-100-150	2
L4-80HT-?	800	50-60-70-100-150	2
L4-90HT-?	900	50-60-70-100-150	2
L4-100HT-?	1000	50-60-70-100-150	2



Connection Example