

# CABLE LADDER ACCESSORIES

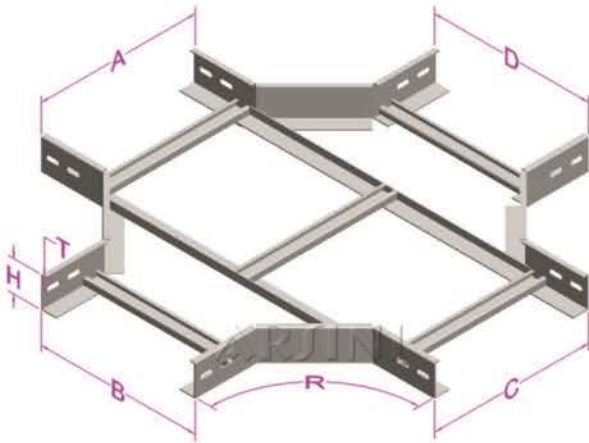
## 5- Horizontal crossing (R150)

**NOTES:**

1. In our standard productions (A,B,C and D) dimensions Equal In your requests (B,C and D) dimensions can be Changed and the production can be made accorsing To your request.

2. (?) → H.D.G: Hot dip galvanized  
P.G: Pre galvanized  
C: Colored

ORDER CODE	A mm	H mm	T mm
L5-10HT-?	100	50-60-70-100-150	1.25 - 1.5 - 2
L5-15HT-?	150	50-60-70-100-150	1.25 - 1.5 - 2
L5-20HT-?	200	50-60-70-100-150	1.25 - 1.5 - 2
L5-25HT-?	250	50-60-70-100-150	1.25 - 1.5 - 2
L5-30HT-?	300	50-60-70-100-150	1.25 - 1.5 - 2
L5-40HT-?	400	50-60-70-100-150	1.5 - 2
L5-50HT-?	500	50-60-70-100-150	1.5 - 2
L5-60HT-?	600	50-60-70-100-150	1.5 - 2
L5-70HT-?	700	50-60-70-100-150	2
L5-80HT-?	800	50-60-70-100-150	2
L5-90HT-?	900	50-60-70-100-150	2
L5-100HT-?	1000	50-60-70-100-150	2



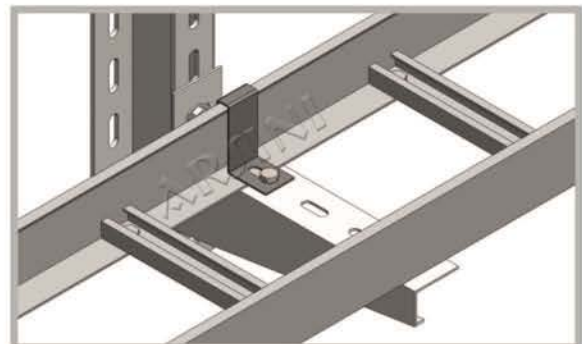
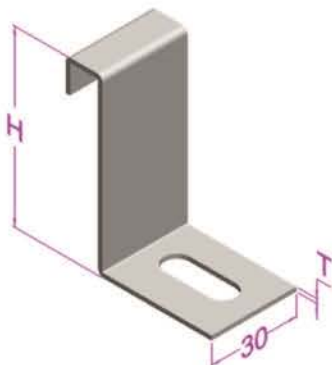
Connection Example

## 6- Hold clamp (Fixing unit for bracket)

**NOTE:**

1. (?) → H.D.G: Hot dip galvanized  
P.G: Pre galvanized  
C: Colored

ORDER CODE	H mm	T mm
L6-HT-?	50-60-70-100-150	1.5 - 2



Connection Example