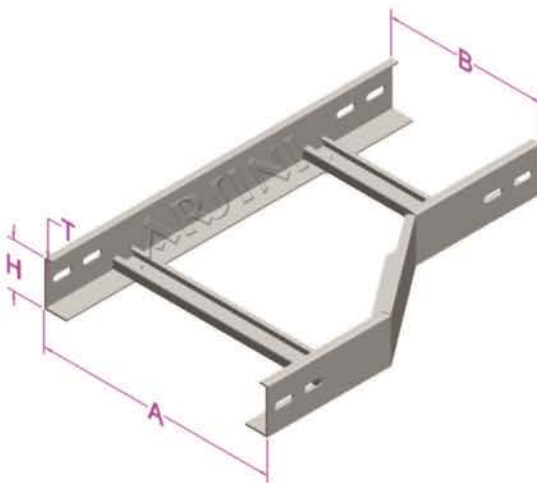


CABLE LADDER ACCESSORIES

7- Reducer (Left)

NOTES:

1. The other sizes reductions can be produced as per Clint's requests.
2. (?) → **H.D.G:** Hot dip galvanized
P.G: Pre galvanized
C: Colored



ORDER CODE	A mm	H mm	T mm
L7-10HT-?	100	50-60-70-100-150	1.25 - 1.5 - 2
L7-15HT-?	150	50-60-70-100-150	1.25 - 1.5 - 2
L7-20HT-?	200	50-60-70-100-150	1.25 - 1.5 - 2
L7-25HT-?	250	50-60-70-100-150	1.25 - 1.5 - 2
L7-30HT-?	300	50-60-70-100-150	1.25 - 1.5 - 2
L7-40HT-?	400	50-60-70-100-150	1.5 - 2
L7-50HT-?	500	50-60-70-100-150	1.5 - 2
L7-60HT-?	600	50-60-70-100-150	1.5 - 2
L7-70HT-?	700	50-60-70-100-150	2
L7-80HT-?	800	50-60-70-100-150	2
L7-90HT-?	900	50-60-70-100-150	2
L7-100HT-?	1000	50-60-70-100-150	2

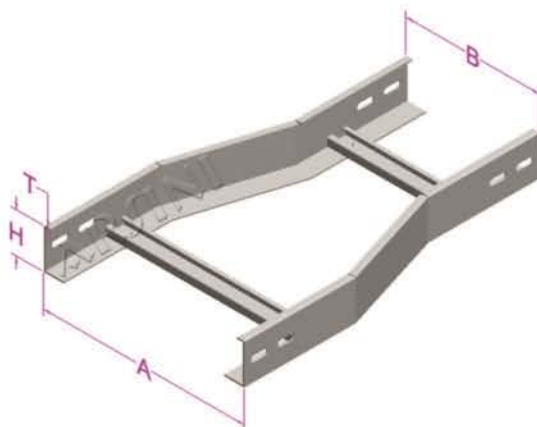


Connection Example

8- Reducer (Middle)

NOTES:

1. The other sizes reductions can be produced as per Clint's requests.
2. (?) → **H.D.G:** Hot dip galvanized
P.G: Pre galvanized
C: Colored



ORDER CODE	A mm	H mm	T mm
L8-10HT-?	100	50-60-70-100-150	1.25 - 1.5 - 2
L8-15HT-?	150	50-60-70-100-150	1.25 - 1.5 - 2
L8-20HT-?	200	50-60-70-100-150	1.25 - 1.5 - 2
L8-25HT-?	250	50-60-70-100-150	1.25 - 1.5 - 2
L8-30HT-?	300	50-60-70-100-150	1.25 - 1.5 - 2
L8-40HT-?	400	50-60-70-100-150	1.5 - 2
L8-50HT-?	500	50-60-70-100-150	1.5 - 2
L8-60HT-?	600	50-60-70-100-150	1.5 - 2
L8-70HT-?	700	50-60-70-100-150	2
L8-80HT-?	800	50-60-70-100-150	2
L8-90HT-?	900	50-60-70-100-150	2
L8-100HT-?	1000	50-60-70-100-150	2



Connection Example

9- Reducer (Right)

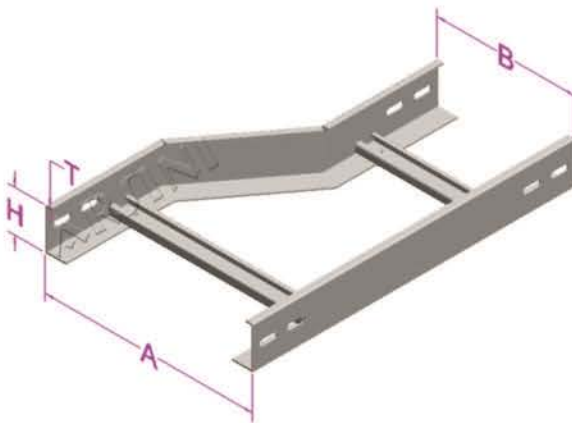
NOTES:

1. The other sizes reductions can be produced as per Clint's requests.

2. (?) → H.D.G: Hot dip galvanized

P.G: Pre galvanized

C: Colored



ORDER CODE	A mm	H mm	T mm
L9-10HT-?	100	50-60-70-100-150	1.25 - 1.5 - 2
L9-15HT-?	150	50-60-70-100-150	1.25 - 1.5 - 2
L9-20HT-?	200	50-60-70-100-150	1.25 - 1.5 - 2
L9-25HT-?	250	50-60-70-100-150	1.25 - 1.5 - 2
L9-30HT-?	300	50-60-70-100-150	1.25 - 1.5 - 2
L9-40HT-?	400	50-60-70-100-150	1.5 - 2
L9-50HT-?	500	50-60-70-100-150	1.5 - 2
L9-60HT-?	600	50-60-70-100-150	1.5 - 2
L9-70HT-?	700	50-60-70-100-150	2
L9-80HT-?	800	50-60-70-100-150	2
L9-90HT-?	900	50-60-70-100-150	2
L9-100HT-?	1000	50-60-70-100-150	2



Connection Example

10- Reducing angles (Left)

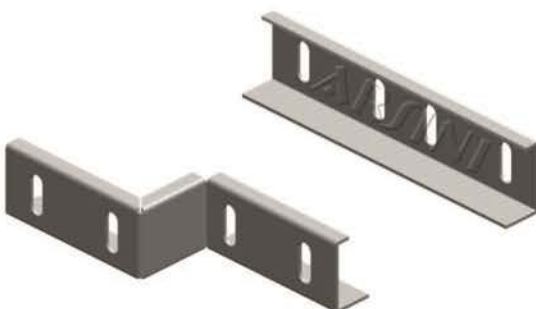
NOTES:

1. The other sizes reductions can be produced as per Clint's requests.

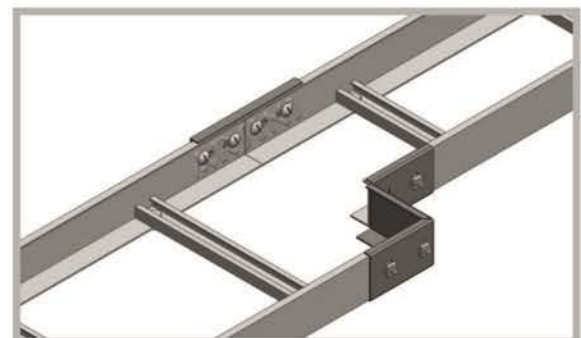
2. (?) → H.D.G: Hot dip galvanized

P.G: Pre galvanized

C: Colored



ORDER CODE	A mm	H mm	T mm
L10-10HT-?	100	50-60-70-100-150	1.25 - 1.5 - 2
L10-15HT-?	150	50-60-70-100-150	1.25 - 1.5 - 2
L10-20HT-?	200	50-60-70-100-150	1.25 - 1.5 - 2
L10-25HT-?	250	50-60-70-100-150	1.25 - 1.5 - 2
L10-30HT-?	300	50-60-70-100-150	1.25 - 1.5 - 2
L10-40HT-?	400	50-60-70-100-150	1.5 - 2
L10-50HT-?	500	50-60-70-100-150	1.5 - 2
L10-60HT-?	600	50-60-70-100-150	1.5 - 2
L10-70HT-?	700	50-60-70-100-150	2
L10-80HT-?	800	50-60-70-100-150	2
L10-90HT-?	900	50-60-70-100-150	2
L10-100HT-?	1000	50-60-70-100-150	2



Connection Example

CABLE LADDER ACCESSORIES

11- Reducing angles (Middle)

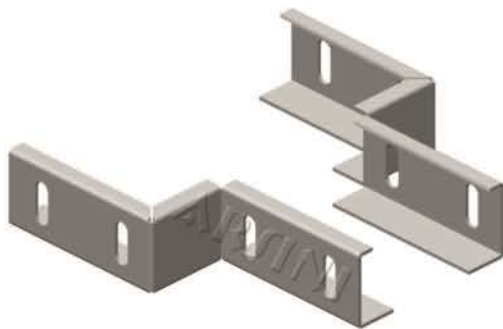
NOTES:

1. The other sizes reductions can be produced as per Clint's requests.

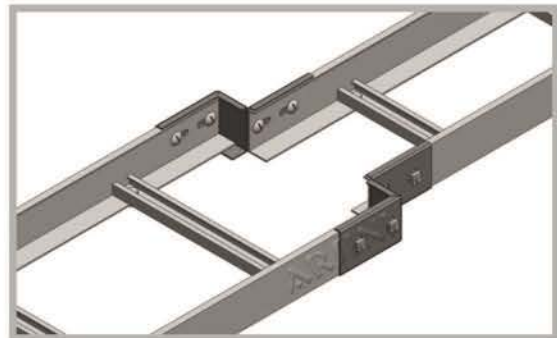
2. (?) → H.D.G: Hot dip galvanized

P.G: Pre galvanized

C: Colored



ORDER CODE	A mm	H mm	T mm
L11-10HT-?	100	50-60-70-100-150	1.25 - 1.5 - 2
L11-15HT-?	150	50-60-70-100-150	1.25 - 1.5 - 2
L11-20HT-?	200	50-60-70-100-150	1.25 - 1.5 - 2
L11-25HT-?	250	50-60-70-100-150	1.25 - 1.5 - 2
L11-30HT-?	300	50-60-70-100-150	1.25 - 1.5 - 2
L11-40HT-?	400	50-60-70-100-150	1.5 - 2
L11-50HT-?	500	50-60-70-100-150	1.5 - 2
L11-60HT-?	600	50-60-70-100-150	1.5 - 2
L11-70HT-?	700	50-60-70-100-150	2
L11-80HT-?	800	50-60-70-100-150	2
L11-90HT-?	900	50-60-70-100-150	2
L11-100HT-?	1000	50-60-70-100-150	2



Connection Example

12- Reducing angles (Right)

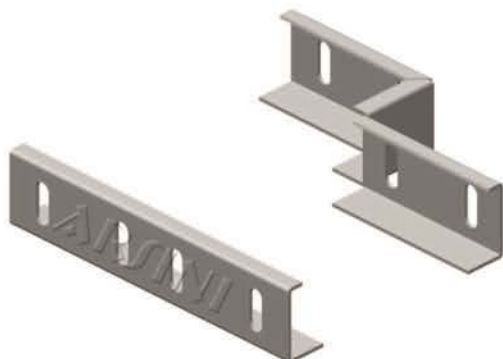
NOTES:

1. The other sizes reductions can be produced as per Clint's requests.

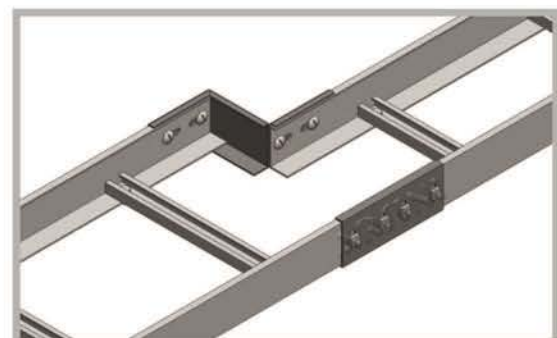
2. (?) → H.D.G: Hot dip galvanized

P.G: Pre galvanized

C: Colored



ORDER CODE	A mm	H mm	T mm
L12-10HT-?	100	50-60-70-100-150	1.25 - 1.5 - 2
L12-15HT-?	150	50-60-70-100-150	1.25 - 1.5 - 2
L12-20HT-?	200	50-60-70-100-150	1.25 - 1.5 - 2
L12-25HT-?	250	50-60-70-100-150	1.25 - 1.5 - 2
L12-30HT-?	300	50-60-70-100-150	1.25 - 1.5 - 2
L12-40HT-?	400	50-60-70-100-150	1.5 - 2
L12-50HT-?	500	50-60-70-100-150	1.5 - 2
L12-60HT-?	600	50-60-70-100-150	1.5 - 2
L12-70HT-?	700	50-60-70-100-150	2
L12-80HT-?	800	50-60-70-100-150	2
L12-90HT-?	900	50-60-70-100-150	2
L12-100HT-?	1000	50-60-70-100-150	2



Connection Example