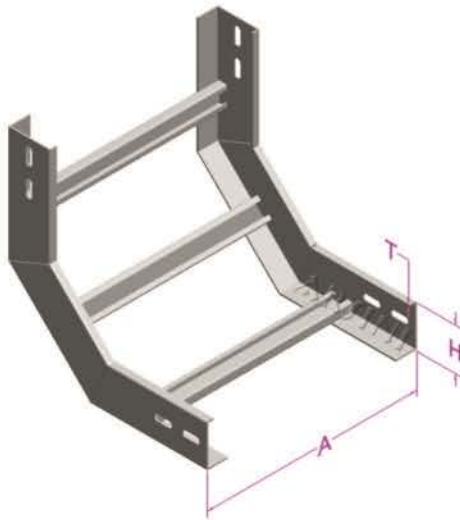


## 15- Inside vertical bend 90 degree

**NOTES:**

1. Each inside vertical bend need 4 pcs straight connector.
2. (?) → H.D.G: Hot dip galvanized  
P.G: Pre galvanized  
C: Colored



ORDER CODE	A mm	H mm	T mm
L15-10HT-?	100	50-60-70-100-150	1.25 - 1.5 - 2
L15-15HT-?	150	50-60-70-100-150	1.25 - 1.5 - 2
L15-20HT-?	200	50-60-70-100-150	1.25 - 1.5 - 2
L15-25HT-?	250	50-60-70-100-150	1.25 - 1.5 - 2
L15-30HT-?	300	50-60-70-100-150	1.25 - 1.5 - 2
L15-40HT-?	400	50-60-70-100-150	1.5 - 2
L15-50HT-?	500	50-60-70-100-150	1.5 - 2
L15-60HT-?	600	50-60-70-100-150	1.5 - 2
L15-70HT-?	700	50-60-70-100-150	2
L15-80HT-?	800	50-60-70-100-150	2
L15-90HT-?	900	50-60-70-100-150	2
L15-100HT-?	1000	50-60-70-100-150	2

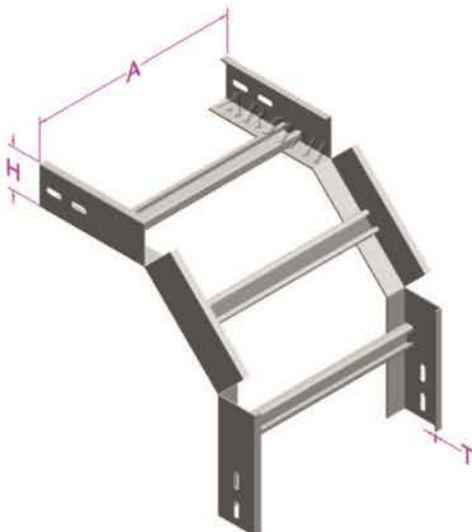


Connection Example

## 16- Outside vertical bend 90 degree

**NOTES:**

1. Each outside vertical bend need 4 pcs straight connector.
2. (?) → H.D.G: Hot dip galvanized  
P.G: Pre galvanized  
C: Colored



ORDER CODE	A mm	H mm	T mm
L16-10HT-?	100	50-60-70-100-150	1.25 - 1.5 - 2
L16-15HT-?	150	50-60-70-100-150	1.25 - 1.5 - 2
L16-20HT-?	200	50-60-70-100-150	1.25 - 1.5 - 2
L16-25HT-?	250	50-60-70-100-150	1.25 - 1.5 - 2
L16-30HT-?	300	50-60-70-100-150	1.25 - 1.5 - 2
L16-40HT-?	400	50-60-70-100-150	1.5 - 2
L16-50HT-?	500	50-60-70-100-150	1.5 - 2
L16-60HT-?	600	50-60-70-100-150	1.5 - 2
L16-70HT-?	700	50-60-70-100-150	2
L16-80HT-?	800	50-60-70-100-150	2
L16-90HT-?	900	50-60-70-100-150	2
L16-100HT-?	1000	50-60-70-100-150	2



Connection Example