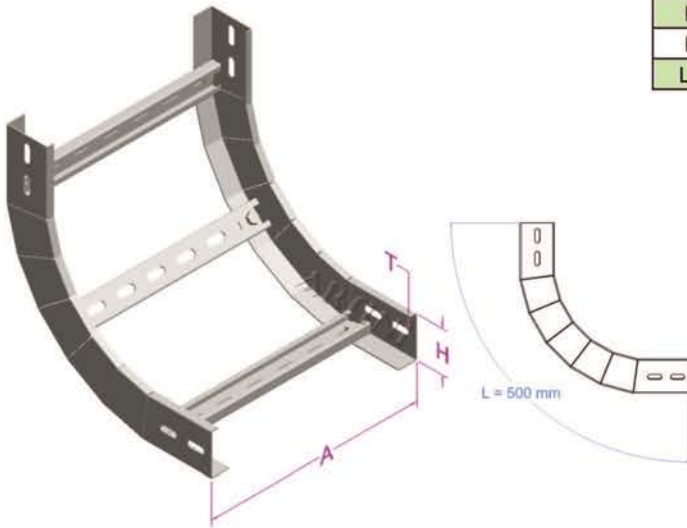


17- Inside vertical bend 90 degree

NOTES:

- 1. Each inside vertical bend need 4 pcs straight connector.
- 2. (?) → **H.D.G: Hot dip galvanized**
P.G: Pre galvanized
C: Colored



ORDER CODE	A mm	H mm	T mm
L17-10HT-?	100	50-60-70-100-150	1.25 - 1.5 - 2
L17-15HT-?	150	50-60-70-100-150	1.25 - 1.5 - 2
L17-20HT-?	200	50-60-70-100-150	1.25 - 1.5 - 2
L17-25HT-?	250	50-60-70-100-150	1.25 - 1.5 - 2
L17-30HT-?	300	50-60-70-100-150	1.25 - 1.5 - 2
L17-40HT-?	400	50-60-70-100-150	1.5 - 2
L17-50HT-?	500	50-60-70-100-150	1.5 - 2
L17-60HT-?	600	50-60-70-100-150	1.5 - 2
L17-70HT-?	700	50-60-70-100-150	2
L17-80HT-?	800	50-60-70-100-150	2
L17-90HT-?	900	50-60-70-100-150	2
L17-100HT-?	1000	50-60-70-100-150	2

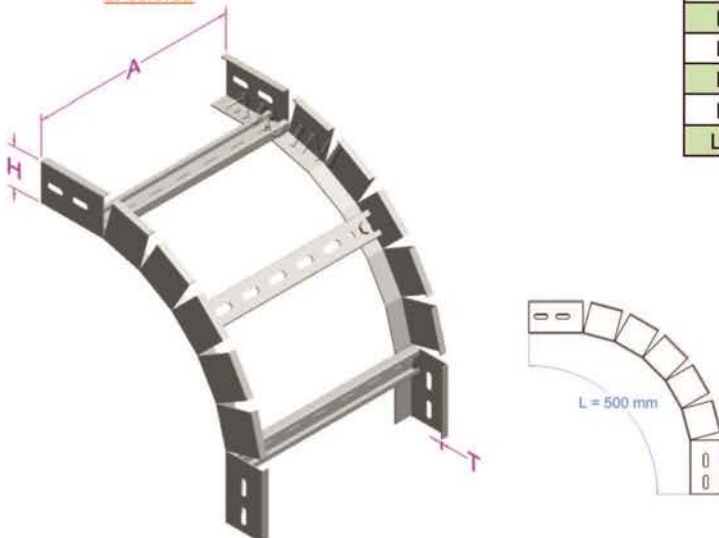


Connection Example

18- Outside vertical bend 90 degree

NOTES:

- 1. Each outside vertical bend need 4 pcs straight connector.
- 2. (?) → **H.D.G: Hot dip galvanized**
P.G: Pre galvanized
C: Colored



ORDER CODE	A mm	H mm	T mm
L18-10HT-?	100	50-60-70-100-150	1.25 - 1.5 - 2
L18-15HT-?	150	50-60-70-100-150	1.25 - 1.5 - 2
L18-20HT-?	200	50-60-70-100-150	1.25 - 1.5 - 2
L18-25HT-?	250	50-60-70-100-150	1.25 - 1.5 - 2
L18-30HT-?	300	50-60-70-100-150	1.25 - 1.5 - 2
L18-40HT-?	400	50-60-70-100-150	1.5 - 2
L18-50HT-?	500	50-60-70-100-150	1.5 - 2
L18-60HT-?	600	50-60-70-100-150	1.5 - 2
L18-70HT-?	700	50-60-70-100-150	2
L18-80HT-?	800	50-60-70-100-150	2
L18-90HT-?	900	50-60-70-100-150	2
L18-100HT-?	1000	50-60-70-100-150	2

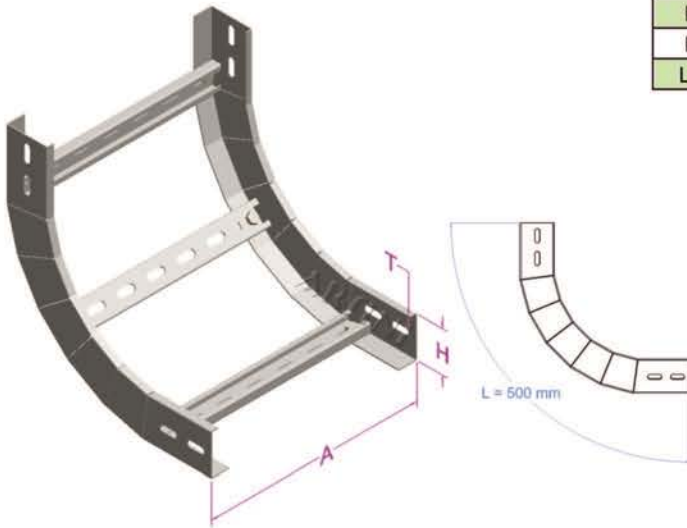


Connection Example

17- Inside vertical bend 90 degree

NOTES:

- 1. Each inside vertical bend need 4 pcs straight connector.
- 2. (?) → **H.D.G: Hot dip galvanized**
P.G: Pre galvanized
C: Colored



ORDER CODE	A mm	H mm	T mm
L17-10HT-?	100	50-60-70-100-150	1.25 - 1.5 - 2
L17-15HT-?	150	50-60-70-100-150	1.25 - 1.5 - 2
L17-20HT-?	200	50-60-70-100-150	1.25 - 1.5 - 2
L17-25HT-?	250	50-60-70-100-150	1.25 - 1.5 - 2
L17-30HT-?	300	50-60-70-100-150	1.25 - 1.5 - 2
L17-40HT-?	400	50-60-70-100-150	1.5 - 2
L17-50HT-?	500	50-60-70-100-150	1.5 - 2
L17-60HT-?	600	50-60-70-100-150	1.5 - 2
L17-70HT-?	700	50-60-70-100-150	2
L17-80HT-?	800	50-60-70-100-150	2
L17-90HT-?	900	50-60-70-100-150	2
L17-100HT-?	1000	50-60-70-100-150	2

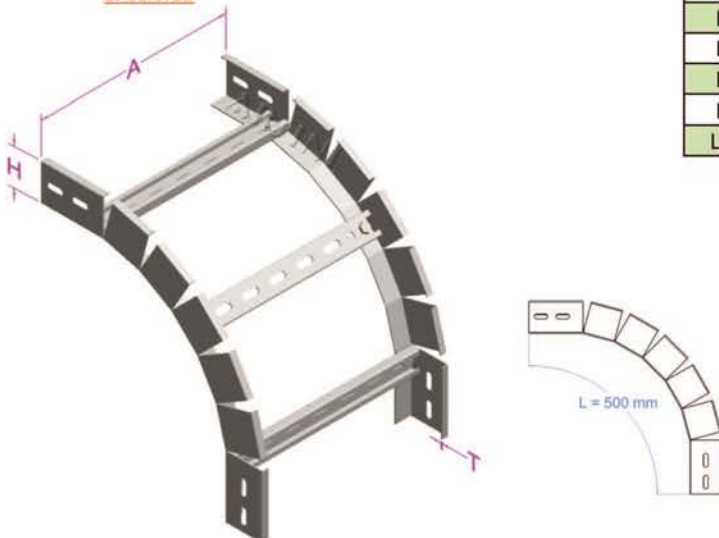


Connection Example

18- Outside vertical bend 90 degree

NOTES:

- 1. Each outside vertical bend need 4 pcs straight connector.
- 2. (?) → **H.D.G: Hot dip galvanized**
P.G: Pre galvanized
C: Colored



ORDER CODE	A mm	H mm	T mm
L18-10HT-?	100	50-60-70-100-150	1.25 - 1.5 - 2
L18-15HT-?	150	50-60-70-100-150	1.25 - 1.5 - 2
L18-20HT-?	200	50-60-70-100-150	1.25 - 1.5 - 2
L18-25HT-?	250	50-60-70-100-150	1.25 - 1.5 - 2
L18-30HT-?	300	50-60-70-100-150	1.25 - 1.5 - 2
L18-40HT-?	400	50-60-70-100-150	1.5 - 2
L18-50HT-?	500	50-60-70-100-150	1.5 - 2
L18-60HT-?	600	50-60-70-100-150	1.5 - 2
L18-70HT-?	700	50-60-70-100-150	2
L18-80HT-?	800	50-60-70-100-150	2
L18-90HT-?	900	50-60-70-100-150	2
L18-100HT-?	1000	50-60-70-100-150	2



Connection Example