

SUPPORT SYSTEMS (U SUPPORT)

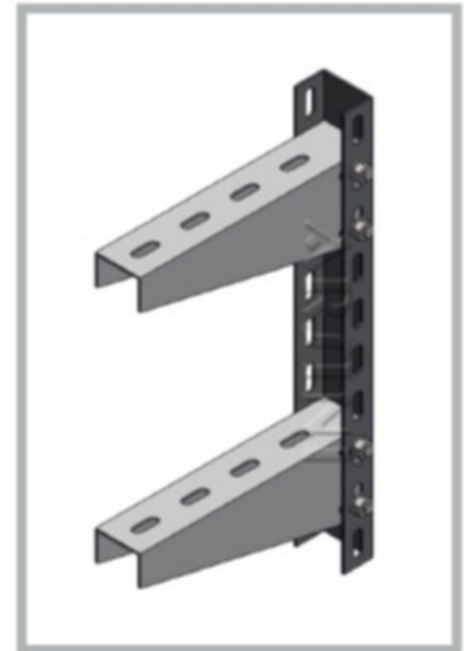
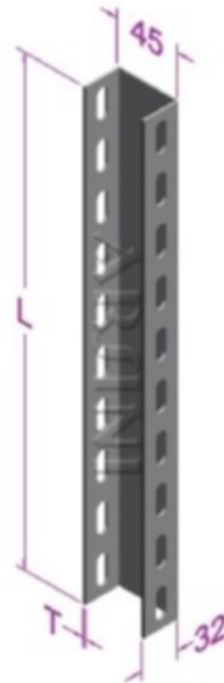
www.petroadvom.com
info@petrotadavom.com

1- U support profile

NOTES:

- 1. (?) → H.D.G: Hot dip galvanized
- P.G: Pre galvanized
- C: Colored

ORDER CODE	L mm	T mm
1US-20T-?	200	1.5 - 2
1US-25T-?	250	1.5 - 2
1US-35T-?	350	1.5 - 2
1US-40T-?	400	2 - 2.5 - 5
1US-50T-?	500	2 - 2.5 - 5
1US-65T-?	650	2 - 2.5 - 5
1US-100T-?	1000	2 - 2.5 - 5
1US-125T-?	1250	2 - 2.5 - 5
1US-200T-?	2000	2 - 2.5 - 5



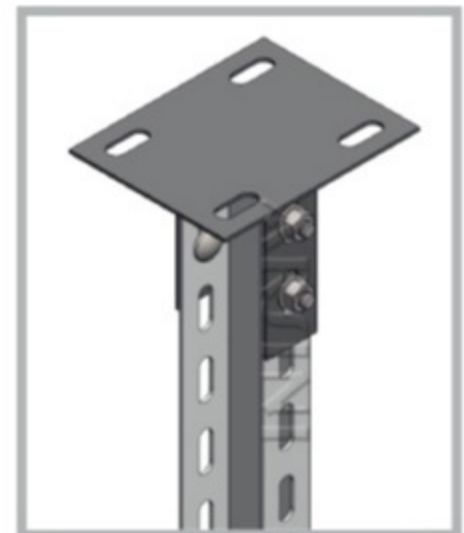
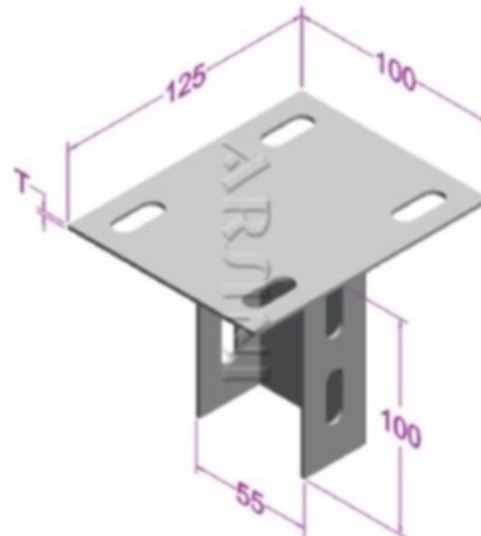
Connection Example

2- U support for ceiling

NOTES:

- 1. (?) → H.D.G: Hot dip galvanized
- P.G: Pre galvanized
- C: Colored

ORDER CODE	L mm	T mm
2US-10T-?	100	2 - 2.5 - 5



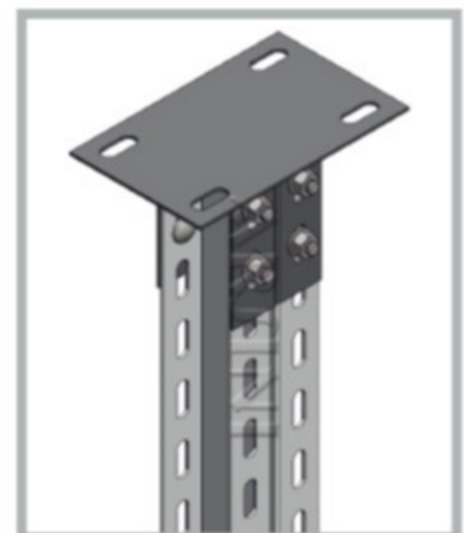
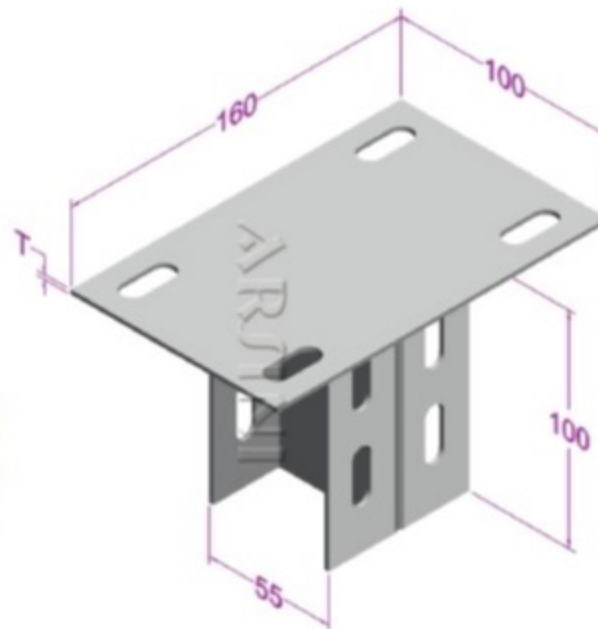
Connection Example

3- U support double for ceiling

NOTES:

- 1. (?) → H.D.G: Hot dip galvanized
- P.G: Pre galvanized
- C: Colored

ORDER CODE	L mm	T mm
3US-10T-?	100	2 - 2.5 - 5



Connection Example