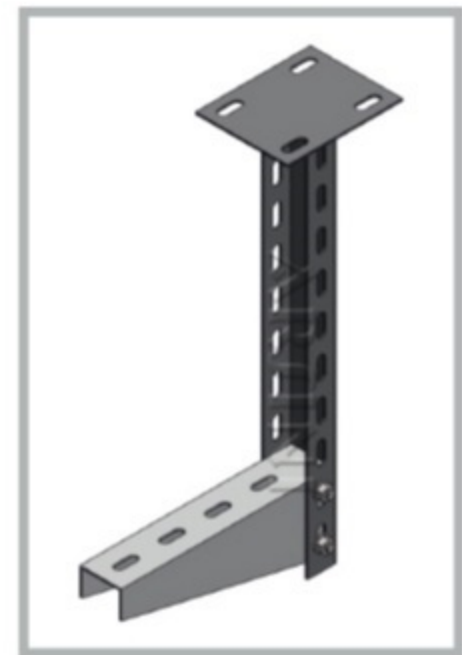
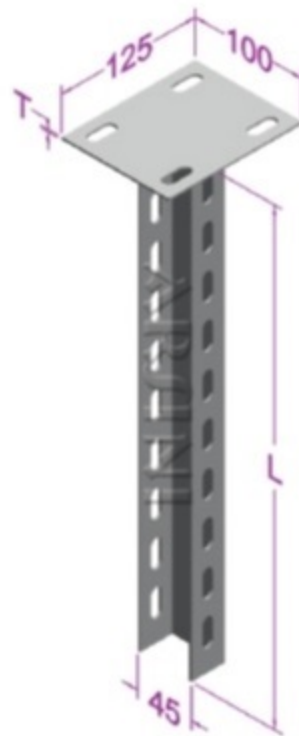


### 4- U support for ceiling

**NOTES:**

- 1. (?) → *H.D.G: Hot dip galvanized*
- P.G: Pre galvanized*
- C: Colored*

ORDER CODE	L mm	T mm
4US-20T-?	200	1.5 - 2
4US-25T-?	250	1.5 - 2
4US-35T-?	350	1.5 - 2
4US-40T-?	400	2 - 2.5 - 5
4US-50T-?	500	2 - 2.5 - 5
4US-65T-?	650	2 - 2.5 - 5
4US-100T-?	1000	2 - 2.5 - 5
4US-125T-?	1250	2 - 2.5 - 5
4US-200T-?	2000	2 - 2.5 - 5



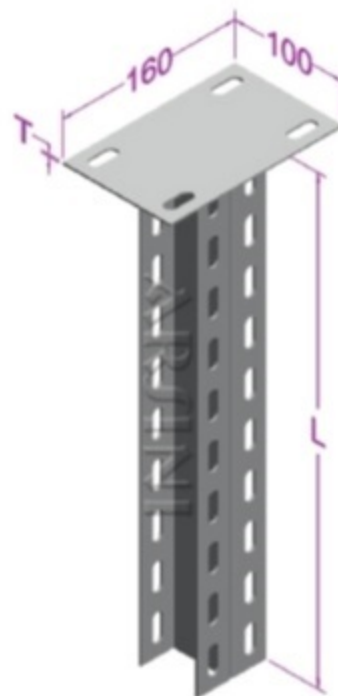
Connection Example

### 5- U support double for ceiling

**NOTES:**

- 1. (?) → *H.D.G: Hot dip galvanized*
- P.G: Pre galvanized*
- C: Colored*

ORDER CODE	L mm	T mm
5US-20T-?	200	1.5 - 2
5US-25T-?	250	1.5 - 2
5US-35T-?	350	1.5 - 2
5US-40T-?	400	2 - 2.5 - 5
5US-50T-?	500	2 - 2.5 - 5
5US-65T-?	650	2 - 2.5 - 5
5US-100T-?	1000	2 - 2.5 - 5
5US-125T-?	1250	2 - 2.5 - 5
5US-200T-?	2000	2 - 2.5 - 5



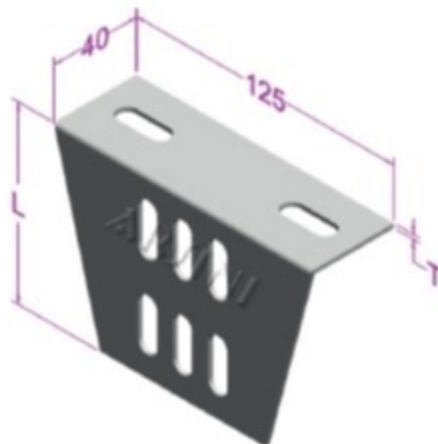
Connection Example

### 6- U support for ceiling

**NOTES:**

- 1. (?) → *H.D.G: Hot dip galvanized*
- P.G: Pre galvanized*
- C: Colored*

ORDER CODE	L mm	T mm
6US-T-?	85	2 - 2.5 - 5



Connection Example



Connection Example