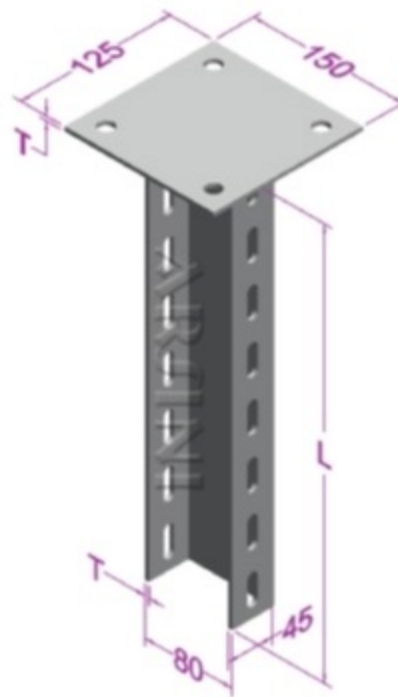


13- U2 support for ceiling

NOTES:

- 1. (?) → *H.D.G: Hot dip galvanized*
- P.G: Pre galvanized*
- C: Colored*

ORDER CODE	L mm	T mm
13US-20T-?	200	2 - 2.5 - 5
13US-25T-?	250	2 - 2.5 - 5
13US-35T-?	350	2 - 2.5 - 5
13US-40T-?	400	2 - 2.5 - 5
13US-50T-?	500	2 - 2.5 - 5
13US-65T-?	650	2 - 2.5 - 5
13US-100T-?	1000	2 - 2.5 - 5
13US-125T-?	1250	2 - 2.5 - 5
13US-200T-?	2000	2 - 2.5 - 5



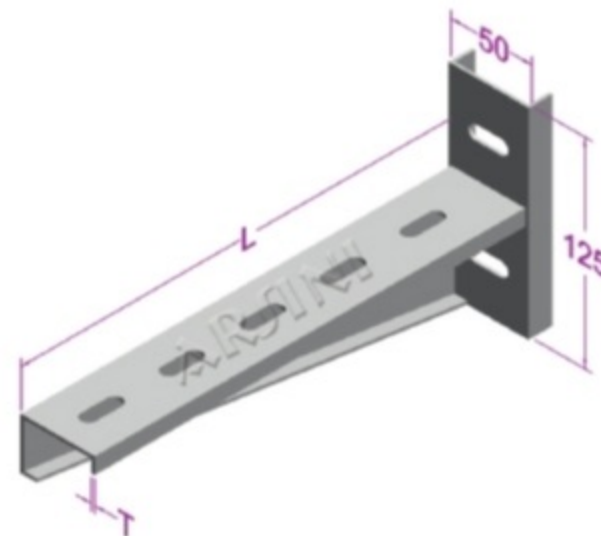
Connection Example

14- Bracket for U2 support

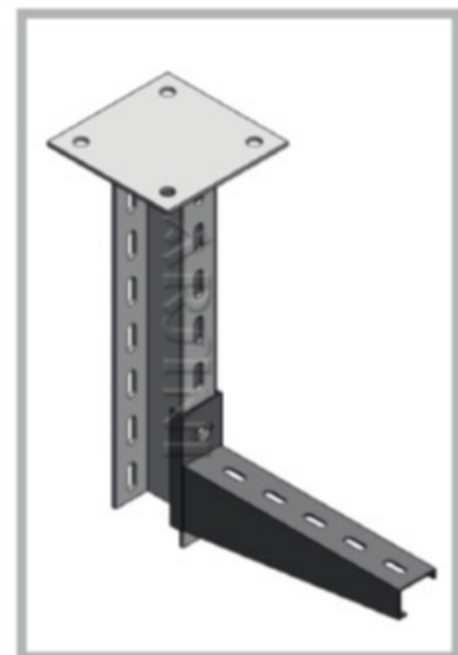
NOTES:

- 1. (?) → *H.D.G: Hot dip galvanized*
- P.G: Pre galvanized*
- C: Colored*

ORDER CODE	L mm	T mm
14US-5T-?	50	1.5 - 2
14US-10T-?	100	1.5 - 2
14US-15T-?	150	1.5 - 2
14US-20T-?	200	1.5 - 2
14US-25T-?	250	1.5 - 2
14US-30T-?	300	1.5 - 2
14US-40T-?	400	2 - 2.5
14US-50T-?	500	2 - 2.5
14US-60T-?	600	2 - 2.5
14US-70T-?	700	2 - 2.5
14US-80T-?	800	2 - 2.5
14US-90T-?	900	2 - 2.5
14US-100T-?	1000	2 - 2.5



Connection Example



Connection Example