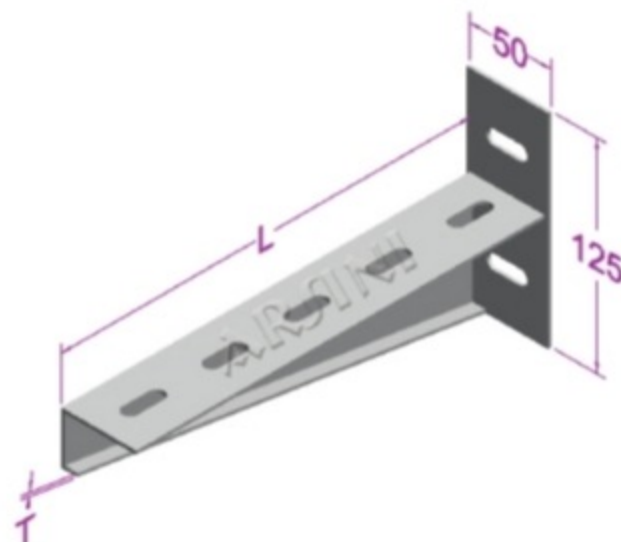


### 15- Bracket for U2 support

**NOTES:**

- 1. (?) → *H.D.G: Hot dip galvanized*
- P.G: Pre galvanized*
- C: Colored*



ORDER CODE	L mm	T mm
15US-5T-?	50	1.5 - 2
15US-10T-?	100	1.5 - 2
15US-15T-?	150	1.5 - 2
15US-20T-?	200	1.5 - 2
15US-25T-?	250	1.5 - 2
15US-30T-?	300	1.5 - 2
15US-40T-?	400	2 - 2.5
15US-50T-?	500	2 - 2.5
15US-60T-?	600	2 - 2.5
15US-70T-?	700	2 - 2.5
15US-80T-?	800	2 - 2.5
15US-90T-?	900	2 - 2.5
15US-100T-?	1000	2 - 2.5



Connection Example

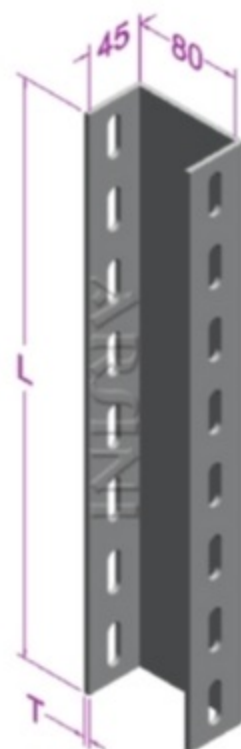


Connection Example

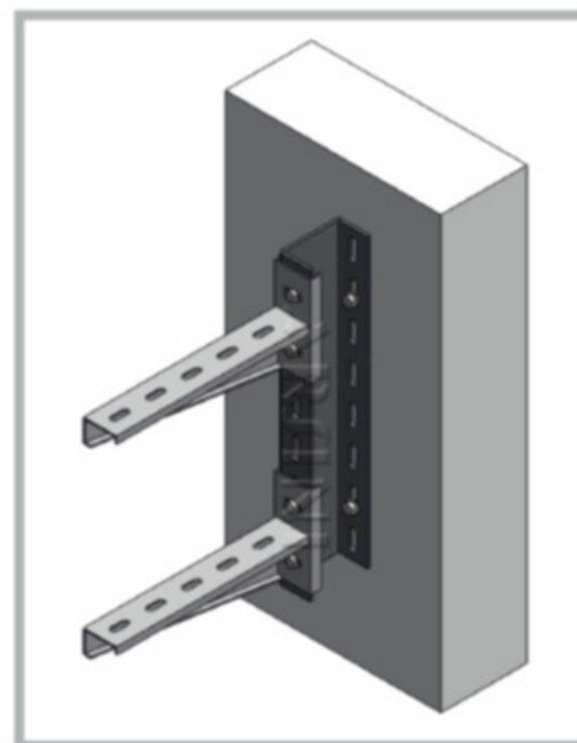
### 16- U2 support profile for wall

**NOTES:**

- 1. (?) → *H.D.G: Hot dip galvanized*
- P.G: Pre galvanized*
- C: Colored*



ORDER CODE	L mm	T mm
16US-20T-?	200	2 - 2.5 - 5
16US-25T-?	250	2 - 2.5 - 5
16US-35T-?	350	2 - 2.5 - 5
16US-40T-?	400	2 - 2.5 - 5
16US-50T-?	500	2 - 2.5 - 5
16US-65T-?	650	2 - 2.5 - 5
16US-100T-?	1000	2 - 2.5 - 5
16US-125T-?	1250	2 - 2.5 - 5
16US-200T-?	2000	2 - 2.5 - 5



Connection Example