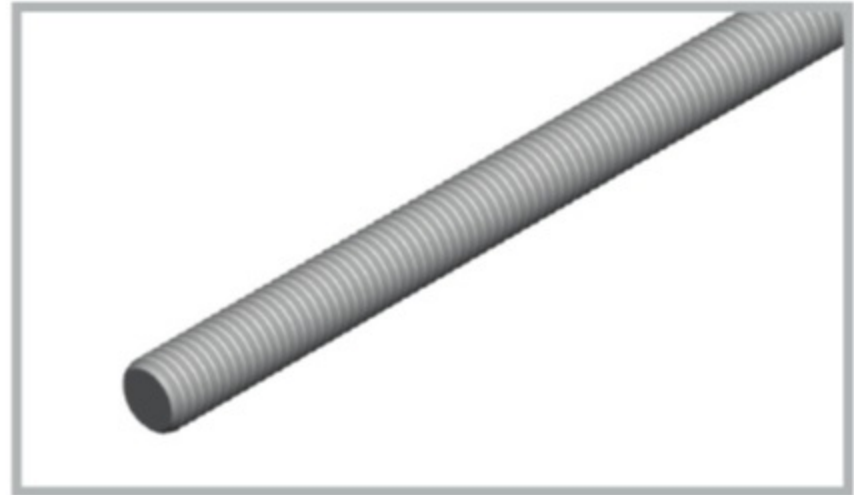


SUPPORT SYSTEMS (THREADED HANGING RODS)

17- Threaded rod

ORDER CODE	L mm	D mm
17-1	500	M8
17-2	1000	M8
17-3	2000	M8
17-4	500	M10
17-5	1000	M10
17-6	2000	M10
17-7	500	M12
17-8	1000	M12
17-9	2000	M12

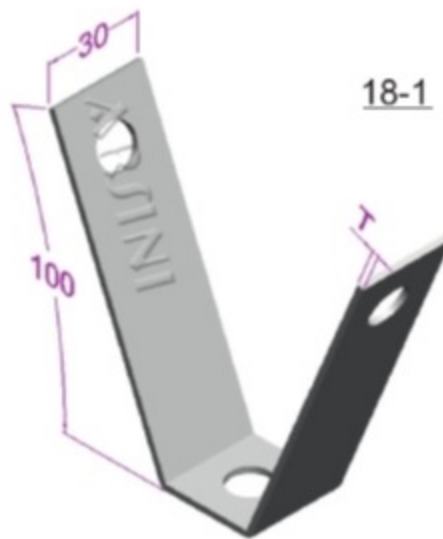


18- Head plate

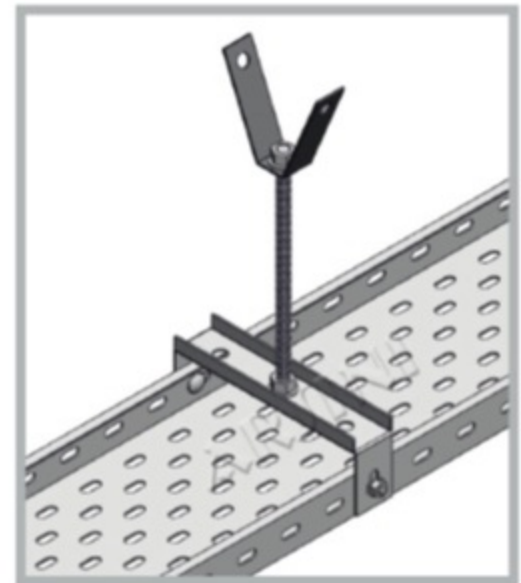
NOTES:

- 1. (?) *H.D.G: Hot dip galvanized*
- P.G: Pre galvanized*
- C: Colored*

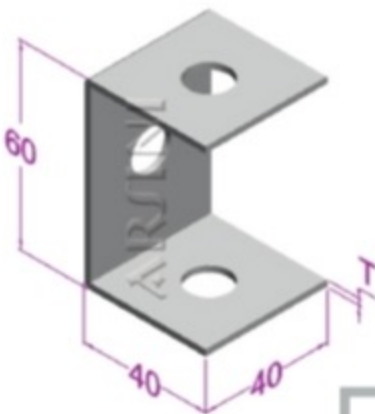
ORDER CODE	T mm
18-1T-?	2.5 - 5
18-2T-?	2.5 - 5
18-3T-?	2.5 - 5



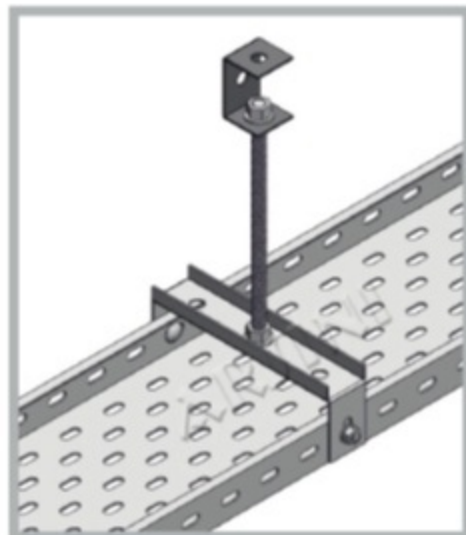
18-1



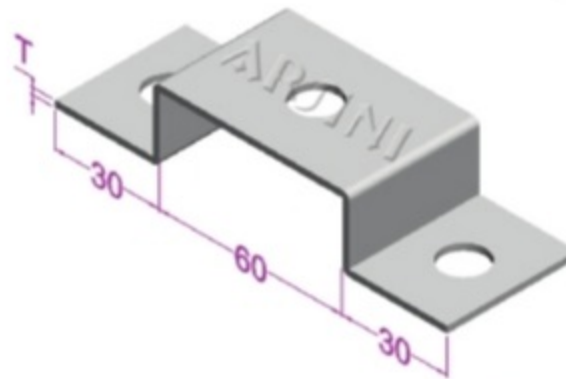
Connection Example



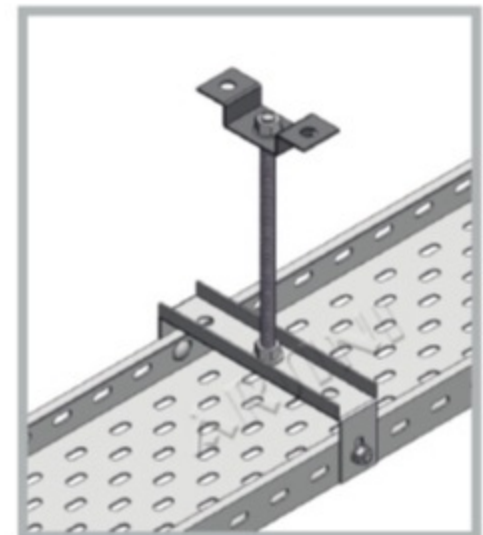
18-2



Connection Example



18-3



Connection Example