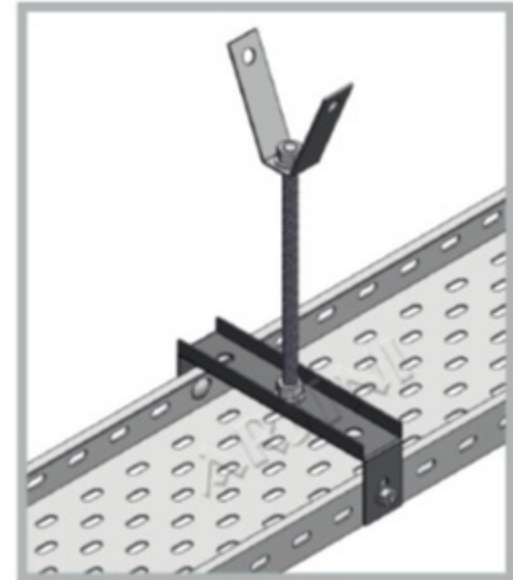
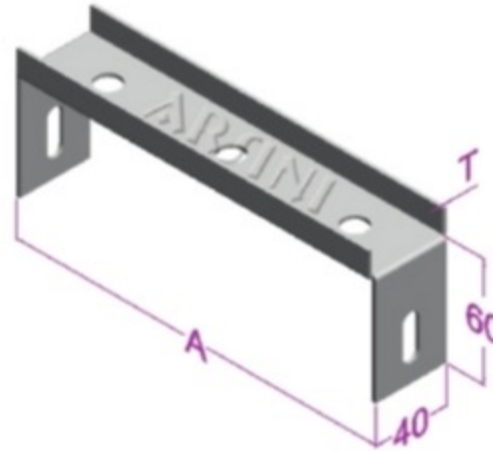


19- Trays carriers which used threaded rod

NOTES:

1. (?) **H.D.G:** Hot dip galvanized
P.G: Pre galvanized
C: Colored

ORDER CODE	A mm	T mm
19-5T-?	50	1.5 - 2
19-10T-?	100	1.5 - 2
19-15T-?	150	1.5 - 2
19-20T-?	200	2
19-25T-?	250	2
19-30T-?	300	2
19-40T-?	400	2



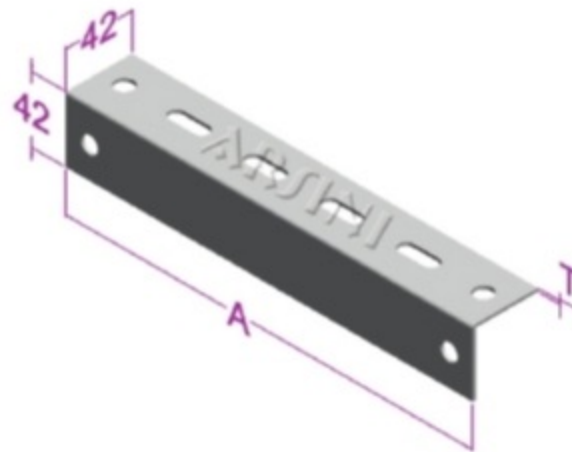
Connection Example

20- Trays carriers which used threaded rod

NOTES:

1. (?) **H.D.G:** Hot dip galvanized
P.G: Pre galvanized
C: Colored

ORDER CODE	A mm	T mm
20-16T-?	160	1.5 - 2
20-21T-?	210	1.5 - 2
20-26T-?	262	1.5 - 2
20-31T-?	310	1.5 - 2
20-36T-?	360	1.5 - 2
20-46T-?	460	1.5 - 2
20-56T-?	560	1.5 - 2
20-66T-?	660	1.5 - 2



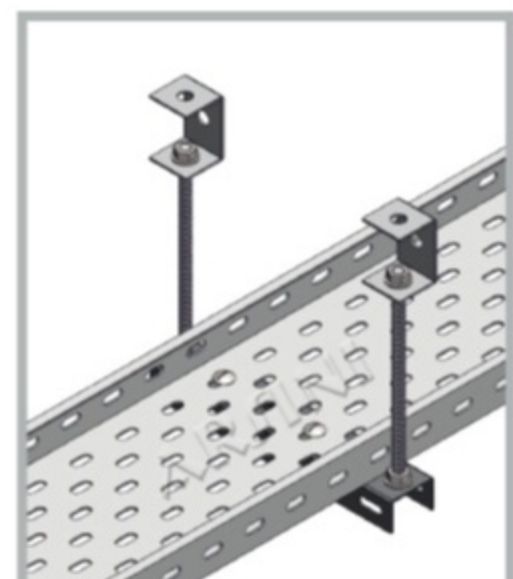
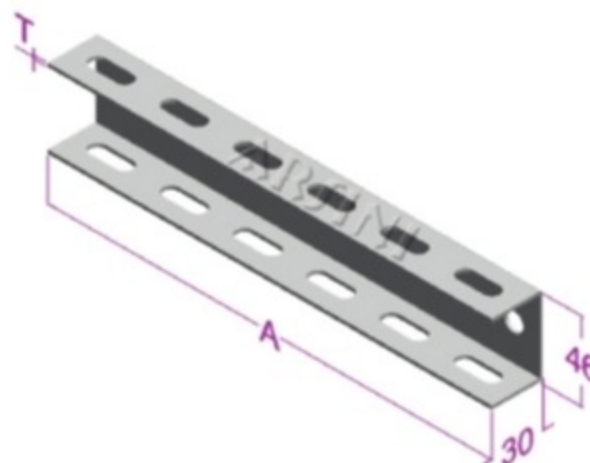
Connection Example

21- Trays carriers which used threaded rod

NOTES:

1. (?) **H.D.G:** Hot dip galvanized
P.G: Pre galvanized
C: Colored

ORDER CODE	A mm	T mm
21-16T-?	160	1.5 - 2
21-21T-?	210	1.5 - 2
21-26T-?	262	1.5 - 2
21-31T-?	310	1.5 - 2
21-36T-?	360	1.5 - 2
21-46T-?	460	1.5 - 2
21-56T-?	560	1.5 - 2
21-66T-?	660	1.5 - 2



Connection Example