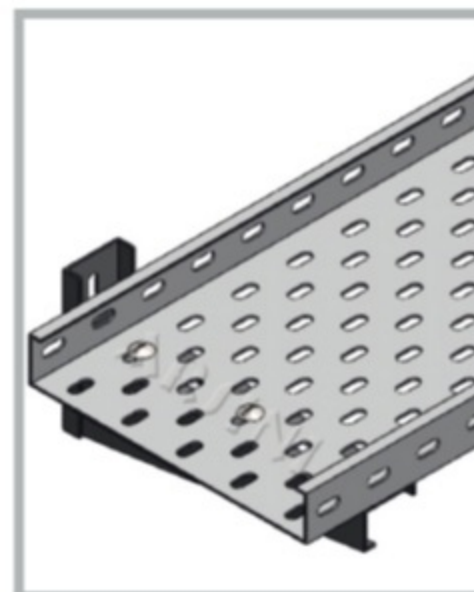
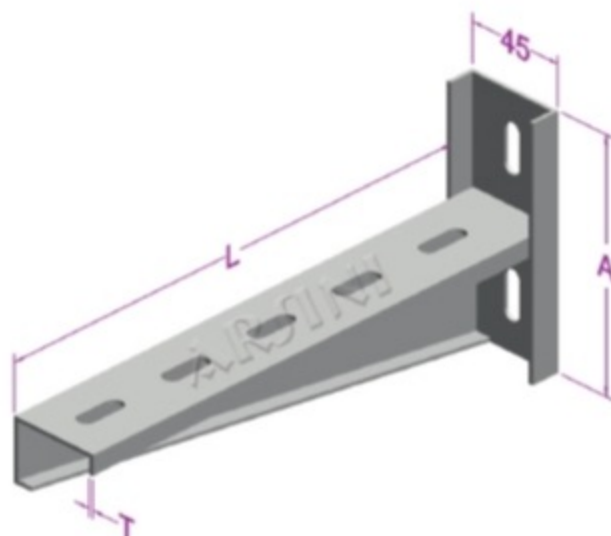


1- Bracket for wall (T welded)

NOTES:

1. (?) *H.D.G: Hot dip galvanized*
P.G: Pre galvanized
C: Colored

ORDER CODE	L mm	A mm	T mm
BW1-5-T-?	50	100	1.5-2
BW1-10-T-?	100	100	1.5-2
BW1-15-T-?	150	100	1.5-2
BW1-20-T-?	200	100	1.5-2
BW1-25-T-?	250	100	1.5-2
BW1-30-T-?	300	100	1.5-2
BW1-40-T-?	400	150	1.5-2
BW1-50-T-?	500	150	1.5-2
BW1-60-T-?	600	150	1.5-2



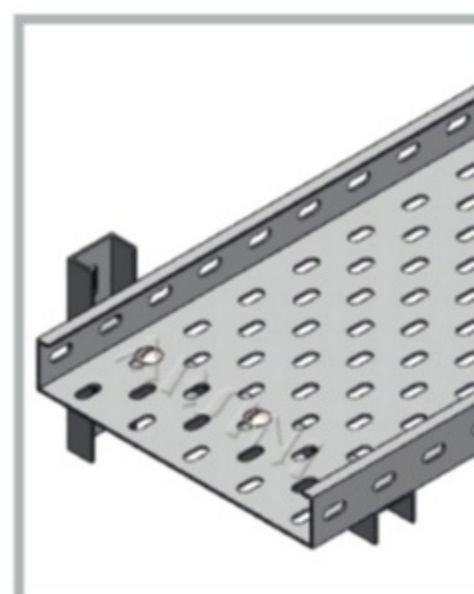
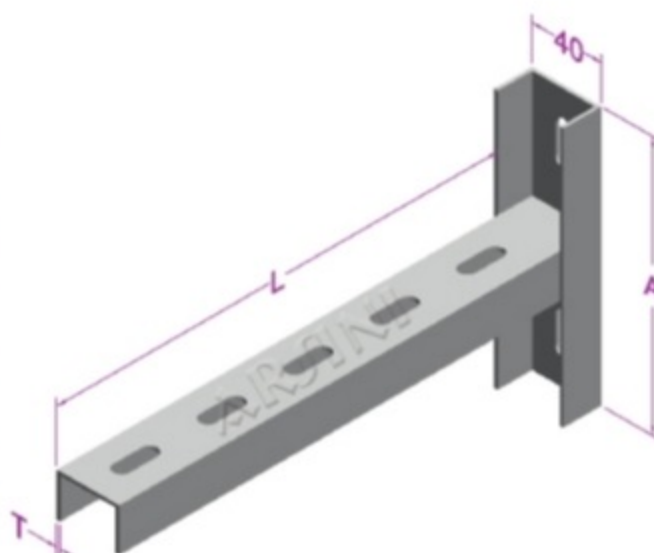
Connection Example

2- Bracket for wall (T welded)

NOTES:

1. (?) *H.D.G: Hot dip galvanized*
P.G: Pre galvanized
C: Colored

ORDER CODE	L mm	A mm	T mm
BW2-5-T-?	50	150	1.5-2
BW2-10-T-?	100	150	1.5-2
BW2-15-T-?	150	150	1.5-2
BW2-20-T-?	200	150	1.5-2
BW2-25-T-?	250	150	1.5-2
BW2-30-T-?	300	150	1.5-2
BW2-40-T-?	400	200	1.5-2
BW2-50-T-?	500	200	1.5-2
BW2-60-T-?	600	200	1.5-2



Connection Example

3- Bracket for wall (L without welded)

NOTES:

1. (?) *H.D.G: Hot dip galvanized*
P.G: Pre galvanized
C: Colored

ORDER CODE	L mm	A mm	T mm
BW3-5-T-?	50	100	1.5-2
BW3-10-T-?	100	100	1.5-2
BW3-15-T-?	150	100	1.5-2
BW3-20-T-?	200	100	1.5-2
BW3-25-T-?	250	100	1.5-2
BW3-30-T-?	300	140	1.5-2
BW3-40-T-?	400	140	1.5-2
BW3-50-T-?	500	140	1.5-2
BW3-60-T-?	600	140	1.5-2

