

## 1- (U)Shape connectors

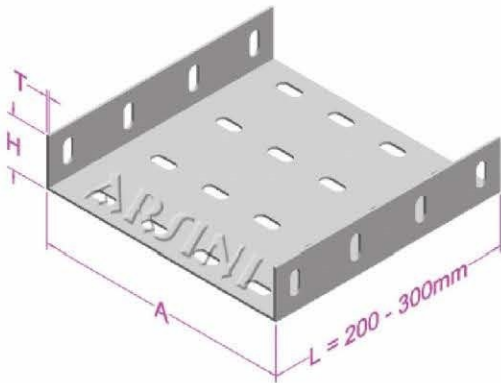
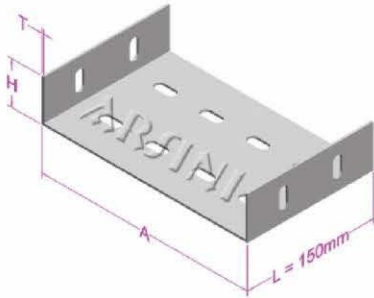
**NOTES:**

1. (U)shape connector length 150-300mm

2. (?) → H.D.G: Hot dip galvanized

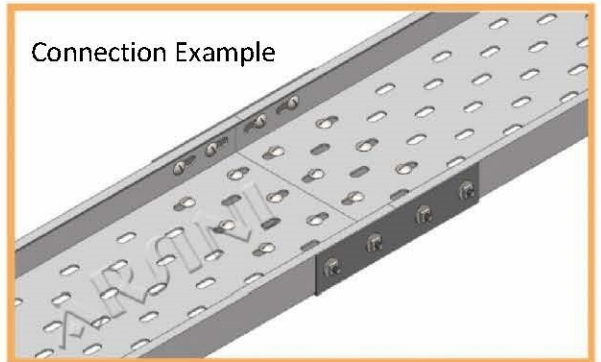
P.G: Pre galvanized

C: Colored



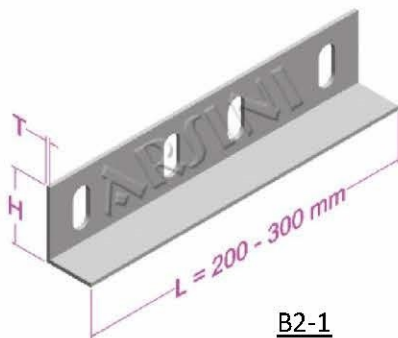
ORDER CODE	A mm	H mm	T mm	L mm
B1-5HTL-?	50	40-50	1 - 1.25	150-300
B1-10HTL-?	100	40-50-60-100	1 - 1.25 - 1.5 - 2	150-300
B1-15HTL-?	150	40-50-60-100	1 - 1.25 - 1.5 - 2	150-300
B1-20HTL-?	200	40-50-60-100	1 - 1.25 - 1.5 - 2	150-300
B1-25HTL-?	250	40-50-60-100	1 - 1.25 - 1.5 - 2	150-300
B1-30HTL-?	300	40-50-60-100	1.25 - 1.5 - 2	150-300
B1-40HTL-?	400	40-50-60-100	1.25 - 1.5 - 2	150-300
B1-50HTL-?	500	40-50-60-100	1.5 - 2	150-300
B1-60HTL-?	600	40-50-60-100	1.5 - 2	150-300
B1-70HTL-?	700	40-50-60-100	2	150-300
B1-80HTL-?	800	40-50-60-100	2	150-300
B1-90HTL-?	900	40-50-60-100	2	150-300
B1-100HTL-?	1000	40-50-60-100	2	150-300

Connection Example



## 2- Straight connectors

ORDER CODE	L mm	H mm	T mm
B2-1HT-?	200 - 300	40-50-60-100	1 - 1.25 - 1.5 - 2
B2-2HT-?	200 - 300	40-50-60-100	1 - 1.25 - 1.5 - 2



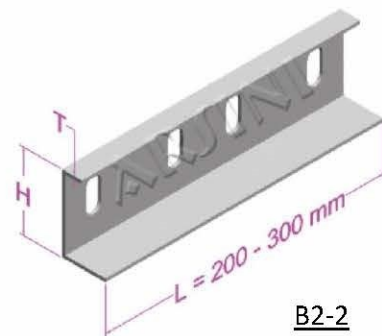
B2-1

**NOTES:**

1. (?) → H.D.G: Hot dip galvanized

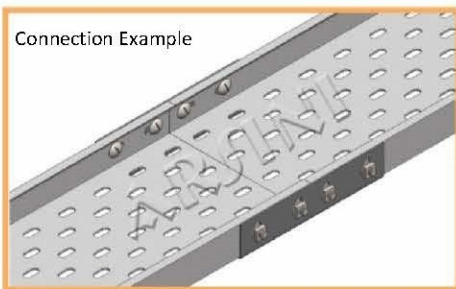
P.G: Pre galvanized

C: Colored



B2-2

Connection Example



Connection Example

