

# HEAVY DUTY CABLE TRAY ACCESSORIES FLOOR & DOUBLE HOLE (TB)

**PETRO TADAVOM SADR**

[WWW.PETROTADAVOM.COM](http://WWW.PETROTADAVOM.COM)

[INFO.PETROTADAVOM.COM](mailto:INFO.PETROTADAVOM.COM)

## 11- Inside vertical bend 90 degree

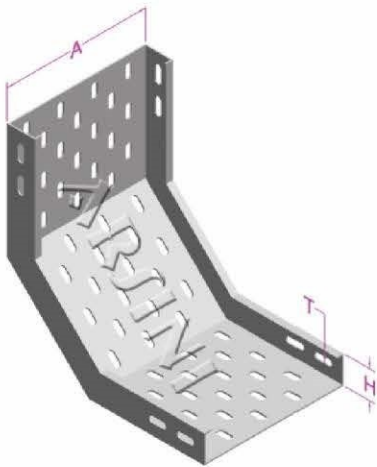
**NOTES:**

1. Each inside vertical bend need 2 pcs (U) shape connector  
Or 4 pcs straight connector.

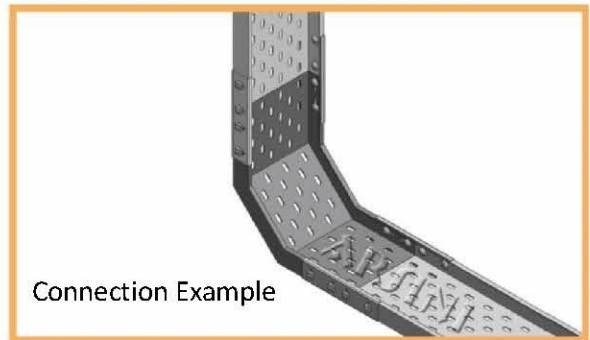
2. (?) → H.D.G: Hot dip galvanized

P.G: Pre galvanized

C: Colored



ORDER CODE	A mm	H mm	T mm
B11-5HT-?	50	40-50	1 - 1.25
B11-10HT-?	100	40-50-60-100	1 - 1.25 - 1.5 - 2
B11-15HT-?	150	40-50-60-100	1 - 1.25 - 1.5 - 2
B11-20HT-?	200	40-50-60-100	1 - 1.25 - 1.5 - 2
B11-25HT-?	250	40-50-60-100	1 - 1.25 - 1.5 - 2
B11-30HT-?	300	40-50-60-100	1.25 - 1.5 - 2
B11-40HT-?	400	40-50-60-100	1.25 - 1.5 - 2
B11-50HT-?	500	40-50-60-100	1.5 - 2
B11-60HT-?	600	40-50-60-100	1.5 - 2
B11-70HT-?	700	40-50-60-100	2
B11-80HT-?	800	40-50-60-100	2
B11-90HT-?	900	40-50-60-100	2
B11-100HT-?	1000	40-50-60-100	2



Connection Example

## 12- Outside vertical bend 90 degree

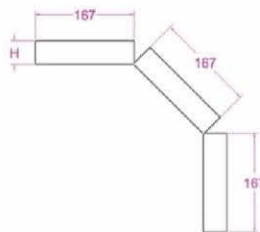
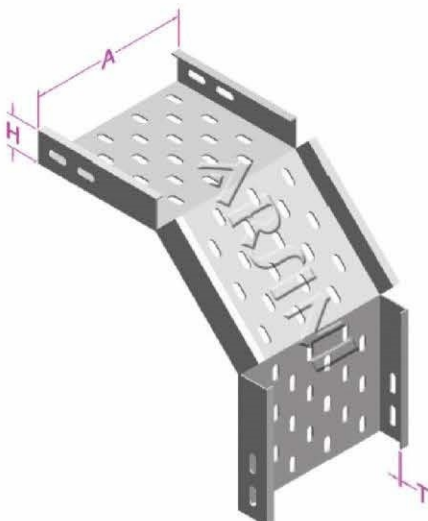
**NOTES:**

1. Each outside vertical bend need 2 pcs (U) shape connector  
OR 4 pcs straight connector.

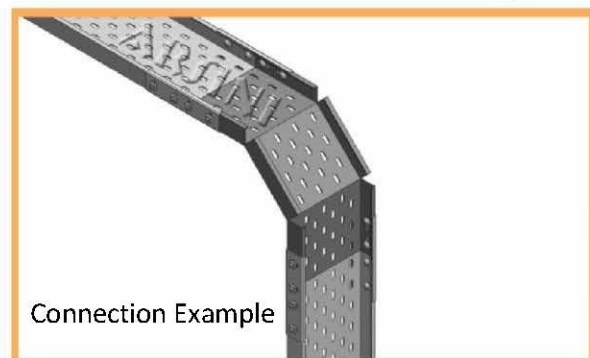
2. (?) → H.D.G: Hot dip galvanized

P.G: Pre galvanized

C: Colored



ORDER CODE	A mm	H mm	T mm
B12-5HT-?	50	40-50	1 - 1.25
B12-10HT-?	100	40-50-60-100	1 - 1.25 - 1.5 - 2
B12-15HT-?	150	40-50-60-100	1 - 1.25 - 1.5 - 2
B12-20HT-?	200	40-50-60-100	1 - 1.25 - 1.5 - 2
B12-25HT-?	250	40-50-60-100	1 - 1.25 - 1.5 - 2
B12-30HT-?	300	40-50-60-100	1.25 - 1.5 - 2
B12-40HT-?	400	40-50-60-100	1.25 - 1.5 - 2
B12-50HT-?	500	40-50-60-100	1.5 - 2
B12-60HT-?	600	40-50-60-100	1.5 - 2
B12-70HT-?	700	40-50-60-100	2
B12-80HT-?	800	40-50-60-100	2
B12-90HT-?	900	40-50-60-100	2
B12-100HT-?	1000	40-50-60-100	2



Connection Example